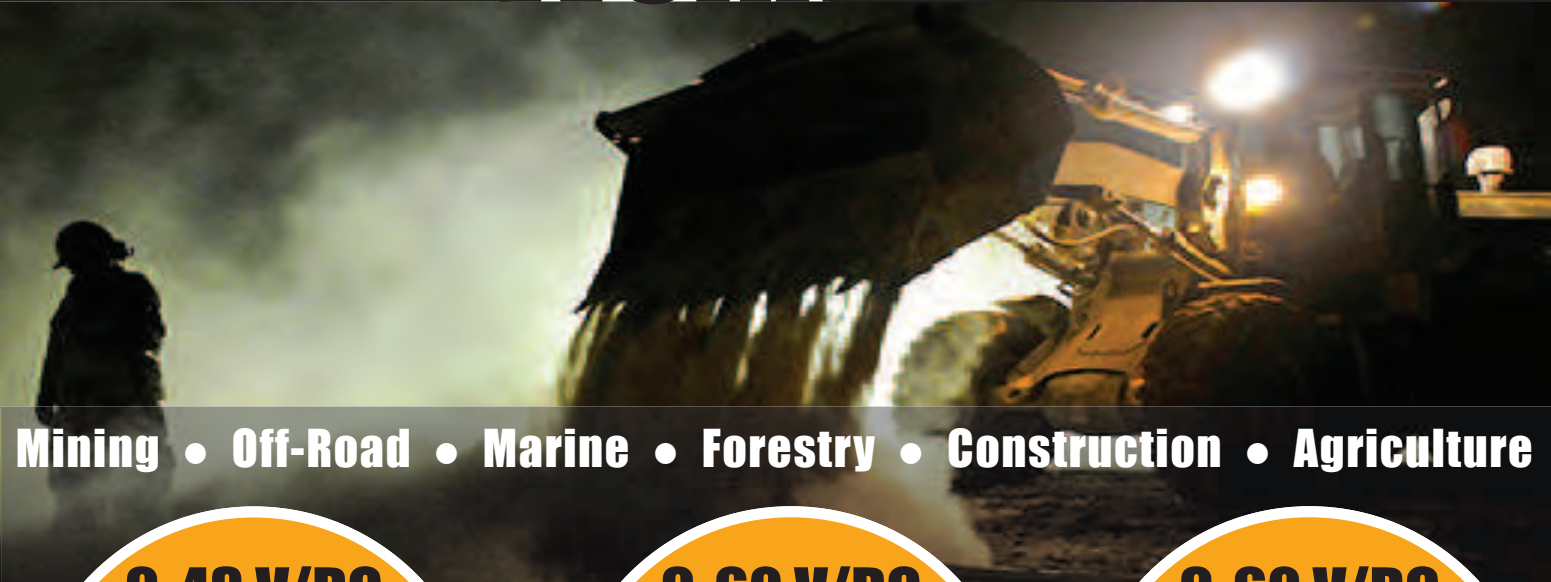




DTI Dragan Technologies Inc.

WORK

LED LIGHTING SYSTEMS



Mining • Off-Road • Marine • Forestry • Construction • Agriculture

9-43 V/DC
5040 Lumens
63 Watts
\$91.01

9-60 V/DC
1600 Lumens
24 Watts
\$25.55

9-60 V/DC
840 Lumens
12 Watts
\$20.55



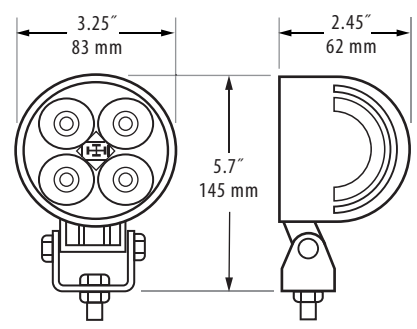
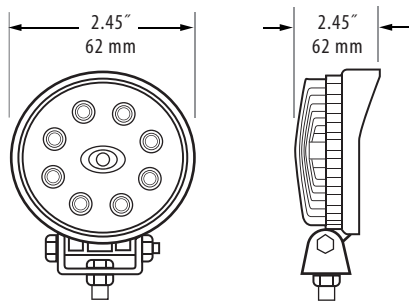
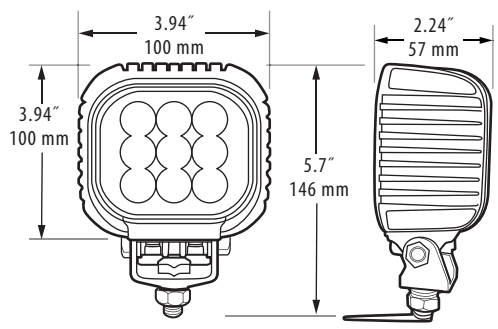
Water Proof Connection



DTI-91-028-43

DTI-91-024-98

DTI-91-024-97



DTI

Dragan Technologies Inc.

e:info@dticanada.com www.dticanada.com
p:(204) 775-2445