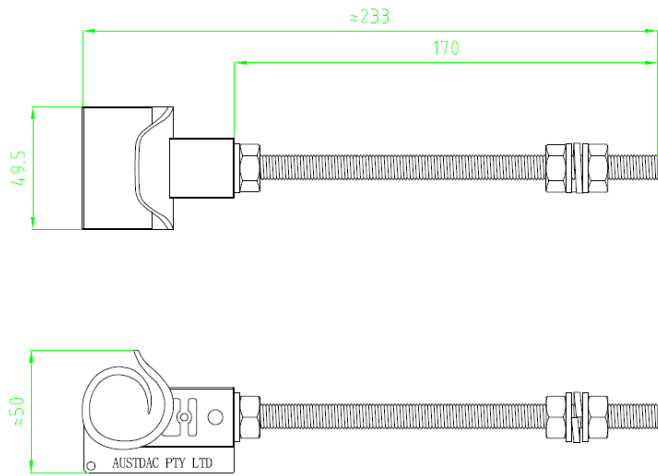
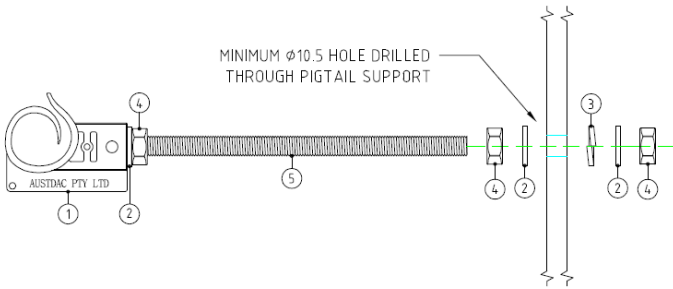


PIGTAIL OVERVIEW

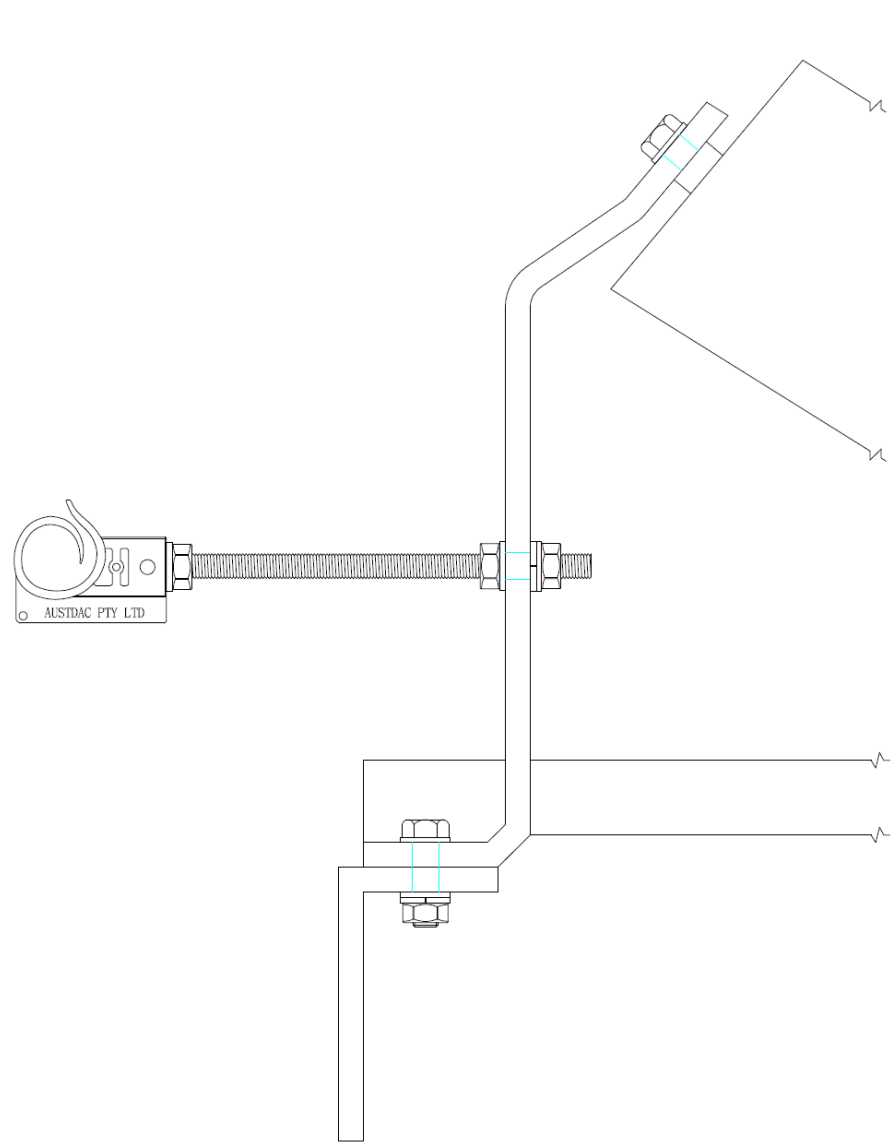


PIGTAIL ASSEMBLY



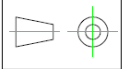
SHEET 1 EQUIPMENT SCHEDULE				
No.	ITEM DESCRIPTION			QTY
1	PIGTAIL PLASTIC HEAD			1
2	M10 STAINLESS STEEL FLAT WASHER			3
3	M10 STAINLESS STEEL SPRING WASHER			1
4	M10 STAINLESS STEEL HEX NUT			3
5	M10 x 185mm THREADED ROD			1

PIGTAIL INSTALLED



INSTALLATION NOTES:

- FIRST PIGTAIL (CON09) TO BE MOUNTED AT A RECOMMENDED MINIMUM DISTANCE OF 600mm FROM PULLKEY.
- PIGTAILS (CON09) TO BE MOUNTED AT A RECOMMENDED MINIMUM DISTANCE OF 3000mm AND A MAXIMUM DISTANCE OF 6000mm.
- FIT PIGTAIL (CON09) AT LEAST 900mm ABOVE THE ACCESS FLOOR.
- GENERALLY NOT MORE THAN 1500mm ABOVE ACCESS FLOOR.
- (WHERE IT IS REQUIRED TO BE HIGHER THAN 1500mm, THE PULL WIRE SHOULD BE LOCATED LOWER THAN ALL NIP OR SHEAR POINTS.)



NOT TO SCALE UNCONTROLLED COPY CHECK VALIDITY BEFORE USE

04					
03					
02					
01	ISSUED FOR USE	2016.09.20	ACB	JD	MG
ISSUE	DETAILS OF AMENDMENTS	DATE	DRAWN	CHECKED	APPROVED

COMMUNICATIONS & MONITORING FOR HAZARDOUS AREAS



THIS DRAWING REMAINS THE PROPERTY OF AUSTDAC PTY. LTD. IT IS SUBJECT TO ITS RECALL AND MUST NOT BE REPRODUCED IN PART OR WHOLE OR ITS CONTENTS DIVULGED TO THIRD PARTIES WITHOUT PRIOR WRITTEN APPROVAL FROM AUSTDAC PTY. LTD.

TITLE  
CON09  
AUSTDAC PTY LTD  
RECOMMENDED PIGTAIL INSTALLATION  
M10 x 170mm S/S THREADED ROD w/ PLASTIC HEAD  
INSTALLATION PROCEDURE

DOCUMENT NUMBER

75-3757-16

SHEET 01 OF 01

ISSUE

01

A4